

# ARK200 Hot Water Storage Unit Installation Guide

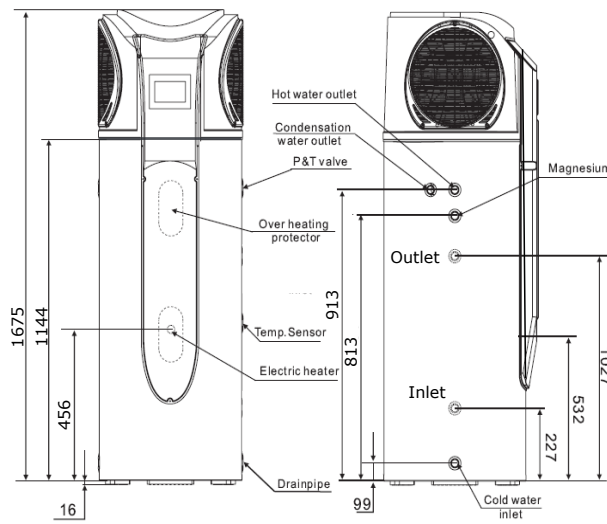
To prevent personal injury and avoid damage to the unit please read the information documented in this installation guide.

- ⚠️ Wrong operation may lead to injury or equipment damage.
- ❗ The referenced action is compulsory
- 🚫 The referenced action is prohibited.

## SAFETY PRECAUTIONS

- ❗ Do not install this unit near flammable gas.
- ❗ This unit must be protected by a circuit breaker / RCD in accordance AS3000.
- 🚫 Do not put fingers or objects into the fans.
- ❗ Installation or relocation must be carried out by qualified persons.
- ❗ In the event of malfunction shut off the power and contact ThermalARK.
- ⚠️ Turn off the power before cleaning the unit.
- ⚠️ Danger - High temperature components.

## SPECIFICATION



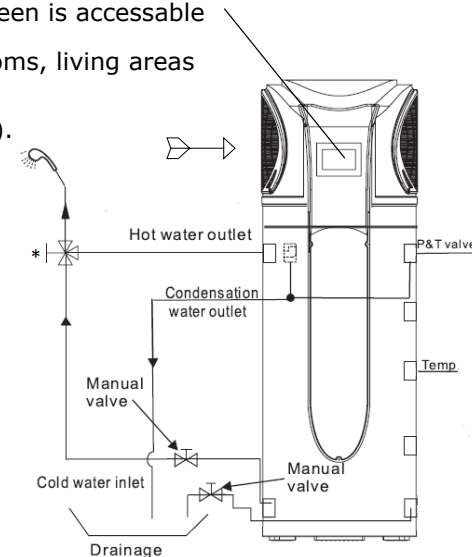
|                         |                |
|-------------------------|----------------|
| Model                   | PASHW015-200LD |
| Tank Capacity           | 200L           |
| Heating Capacity        | 3.6kW          |
| Power Input             | 0.94kW         |
| Rated Current           | 13A            |
| Power Supply            | 240Vac/50Hz    |
| Compressor              | Rotary         |
| Rated Outlet Water Temp | 60C            |
| Noise                   | 48 dB(A)       |
| Inlet/Outlet fitting    | 3/4"           |
| Auxiliary heater        | 1.5kW          |
| Ambient Temperature     | -7 to 43C      |
| Water Temperature Range | 9-70C          |
| Water Pressure          | 0.15-0.7MPa    |

## FUNCTION DESCRIPTION

- ✔️ In low ambient conditions the heating output decreases.
- ✔️ If the unit is tured off it will not restart for 3 minutes
- ✔️ In heating mode the unit may defrost (2-10 mins). The fan stops.
- ✔️ If pressure exceeds 0.85MPa or temperture exceeds 99C the P&T valve will relieve

## INSTALLATION

- ❗ Locate on level and sturdy concrete plinth
- ❗ Install outside, but locate in a protected position if possible
- ❗ Install in an orientation so that the control screen is accessible
- ❗ Do not install adjacent to neighbouring bedrooms, living areas or outdoor areas in accordance with relevant noise regulations (EPA Residential Noise 2008).
- ❗ Ensure these clearances are exceeded; air inlet (left) to obstruction 500mm air outlet (right) to obstruction 1000mm clearance away from rear wall 50mm
- ❗ For service access recommended 600mm clearance above unit.
- ❗ Connect 3/4" inlet and outlet.
- ❗ Fit tempering valve if required (not supplied). *Note: In many cases a tempering valve is not required. Consult your plumber.*
- ❗ Fit supplied 3/4" P&T valve.
- ❗ Connect P&T valve and condensate outlet to supplied flexible drainpipes. Ensure; 1) supplied flexible drainpipe faces downward 2) an airgap between drainpipe and drain exists
- 🚫 Do not use stainless steel fittings.
- ❗ Unit is supplied with a 3 core power fly lead. Connect in accordance with AS3000
- ❗ On new installations ensure circuit is RCD protected in accordance with AS3000



## COMISSIONING

- ❗ Turn on the water supply and inspect for leaks.
- ❗ When the tank is full switch on the power. Check that the controller lights up.
- ❗ Use the controller to turn the unit on.
- ❗ Listen carefully to the unit as it begins to heat the water. If you hear unexpected sounds turn off the unit and contact ThermalARK for help.
- ❗ Observe the temperature reading to ensure it heats to the setpoint. If not, contact ThermalARK for help.

## CONTROLLER

Refer Controller Guide.